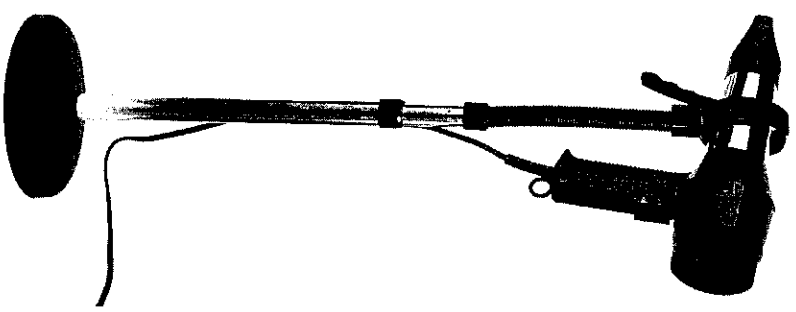
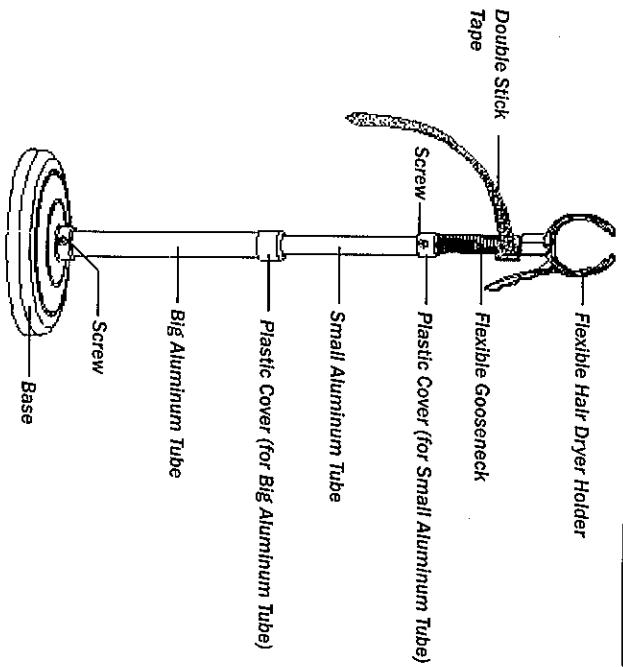


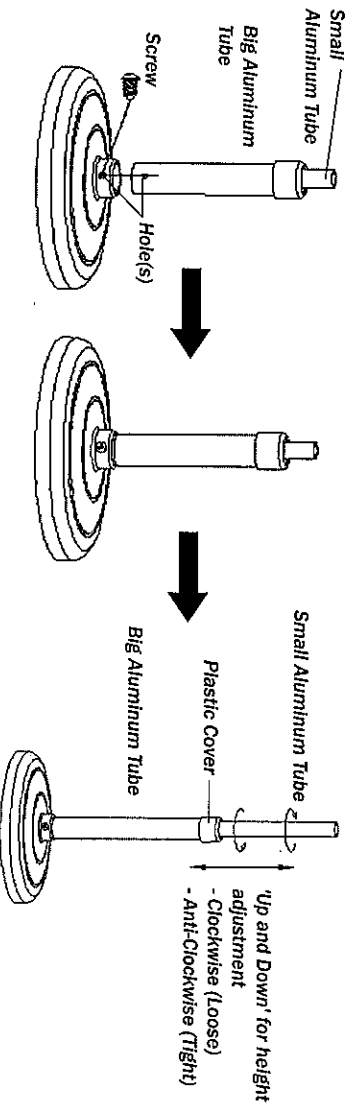
# Hands Free Drying Stand

58043

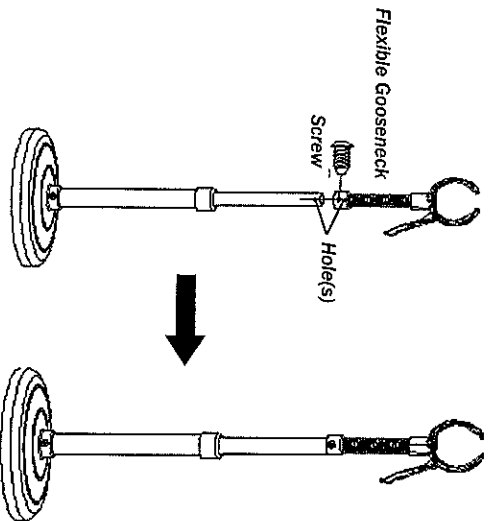


## HOW TO INSTALL

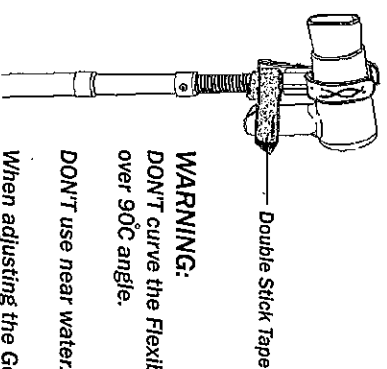
1) Pull 'Small Aluminum Tube' through the 'Big Aluminum Tube'.



2) Insert the 'Big Aluminum Tube' into the 'Base', and match their holes, inset screw and tighten.



3) If needed, use the Double Stick Tape to secure the dryer as shown below.



### WARNING:

DON'T curve the Flexible Gooseneck over 90° angle.

DON'T use near water.

When adjusting the Gooseneck, make sure hair dryer stand is still stable and secure. Use care when turning on the hair dryer as the blower may push the stand over in certain positions.